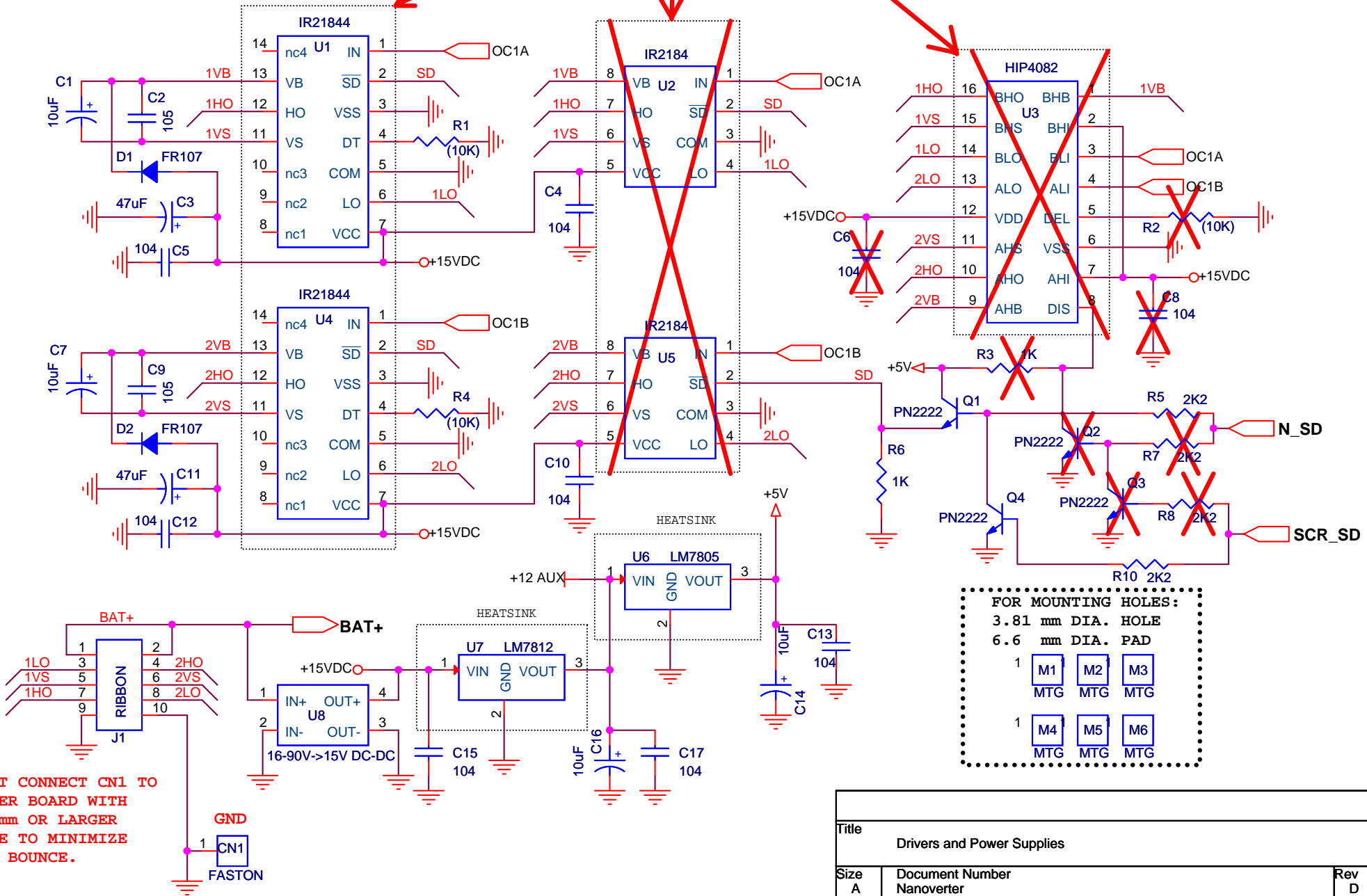
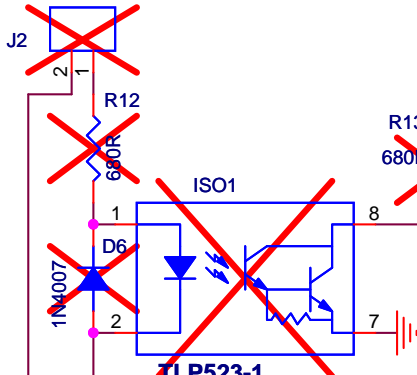


**CHOOSE YOUR POISON.
CAUTION: MORE THAN ONE CAN KILL!**

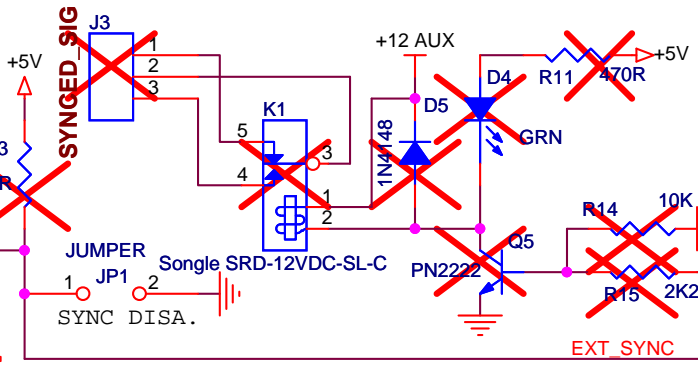


Title		
Drivers and Power Supplies		
Size	Document Number	Rev
A	Nanoverter	D
Date:	Saturday, January 23, 2021	Sheet 1 of 3

12VAC EXTERNAL XFMR

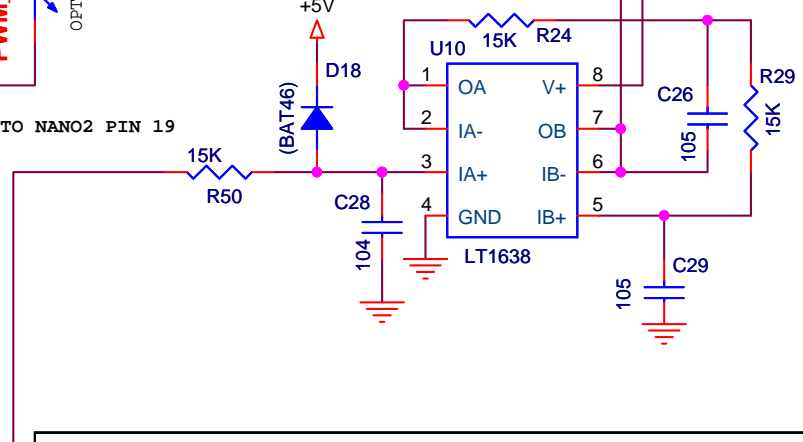
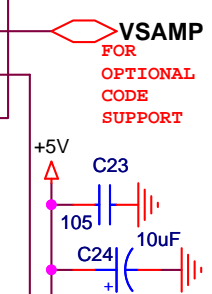
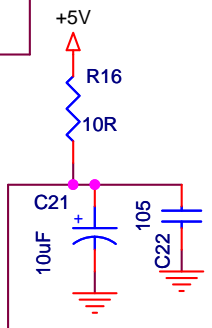
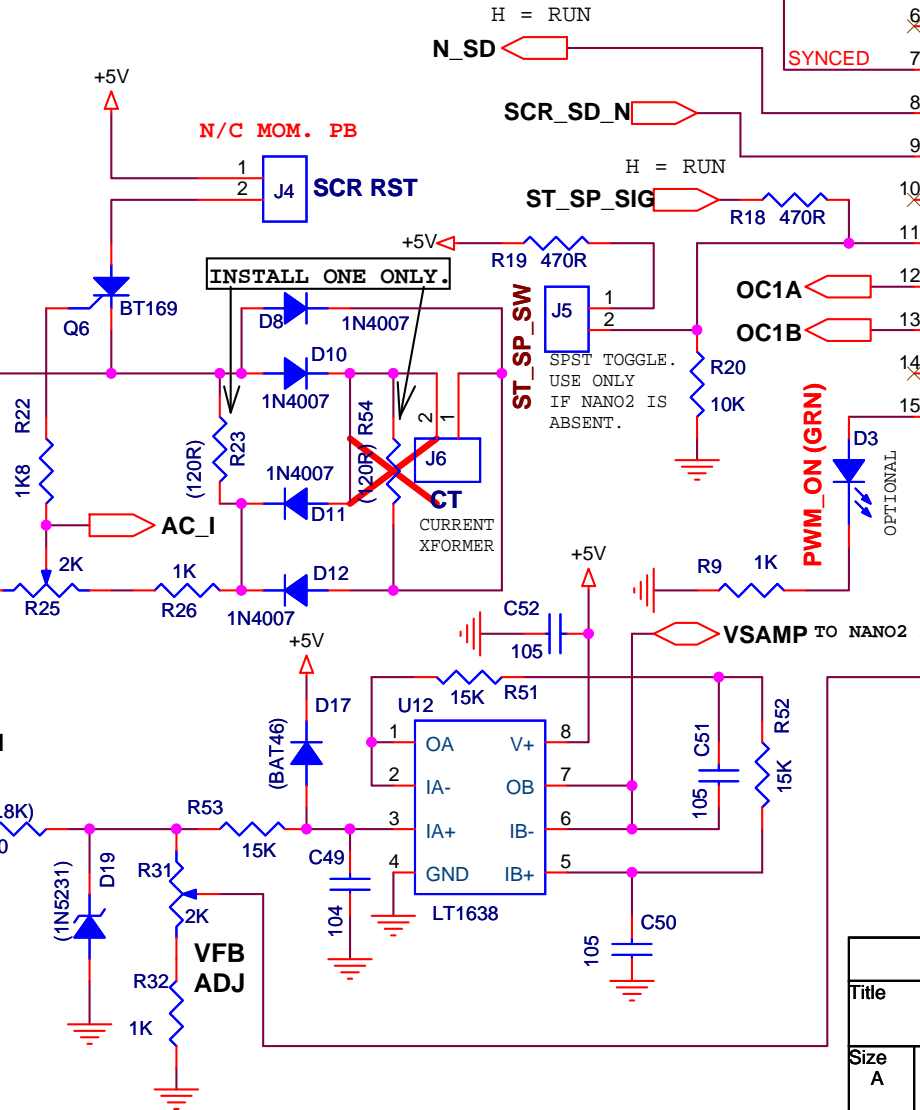


7LP523-1
 USING DIP-8
 SOCKET
 TLP523-2 MAY
 ALSO BE USED.



LOCATE FOR
 SHORTEST
 CONNECTION
 TO U1 PINS.

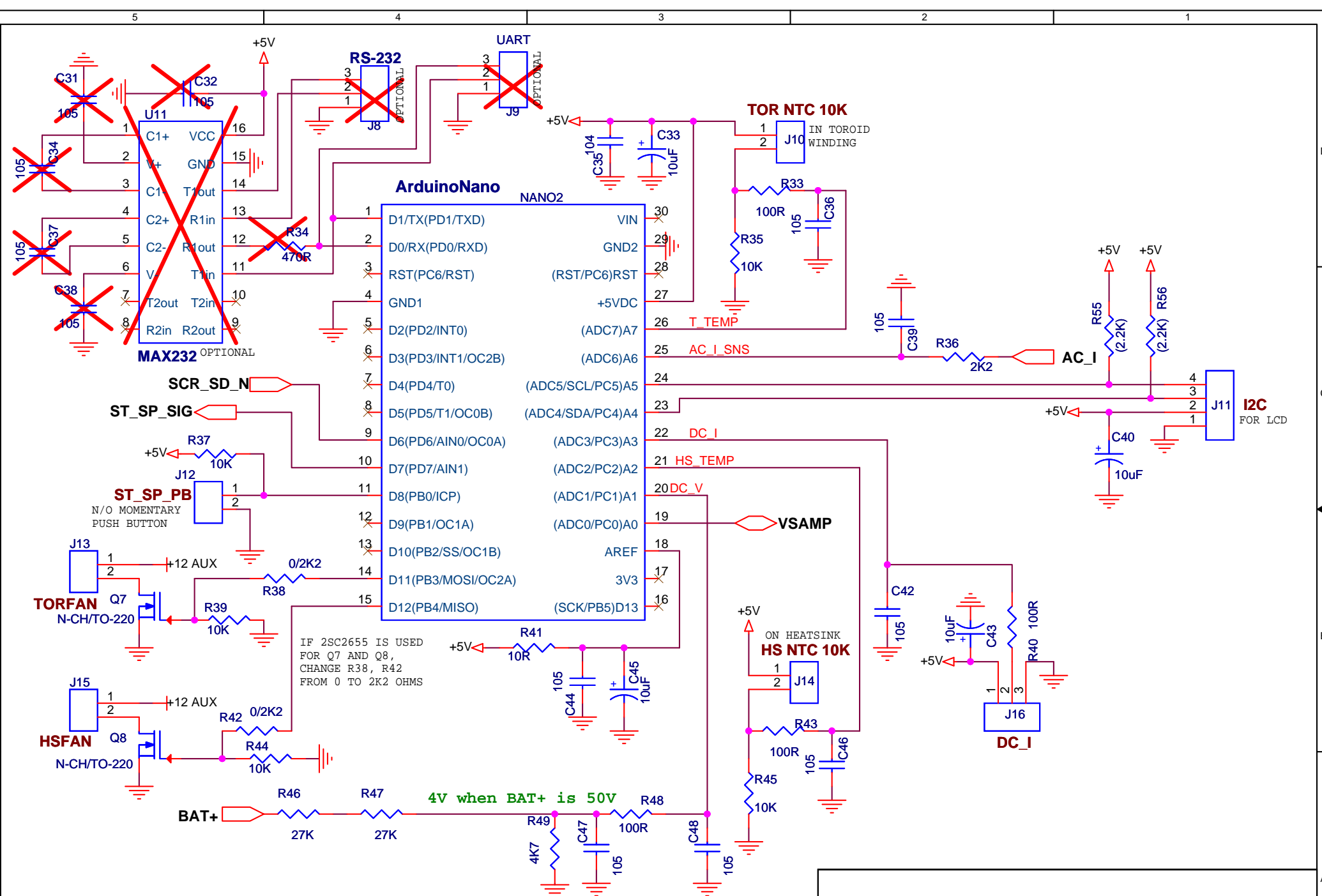
ArduinoNano



INVERTER OUTPUT
 STEP-DOWN
 TRANSFORMER

12VAC VFB

Title		
Nano1 - SPWM Generator, External Sync and Shutdown		
Size	Document Number	Rev
A	NANOVERTER	D
Date:	Saturday, January 23, 2021	Sheet 2 of 3



Title		
Nano2 - Sensors and Comm		
Size	Document Number	Rev
A	NANOVERTER	D
Date:	Saturday, January 23, 2021	Sheet 3 of 3