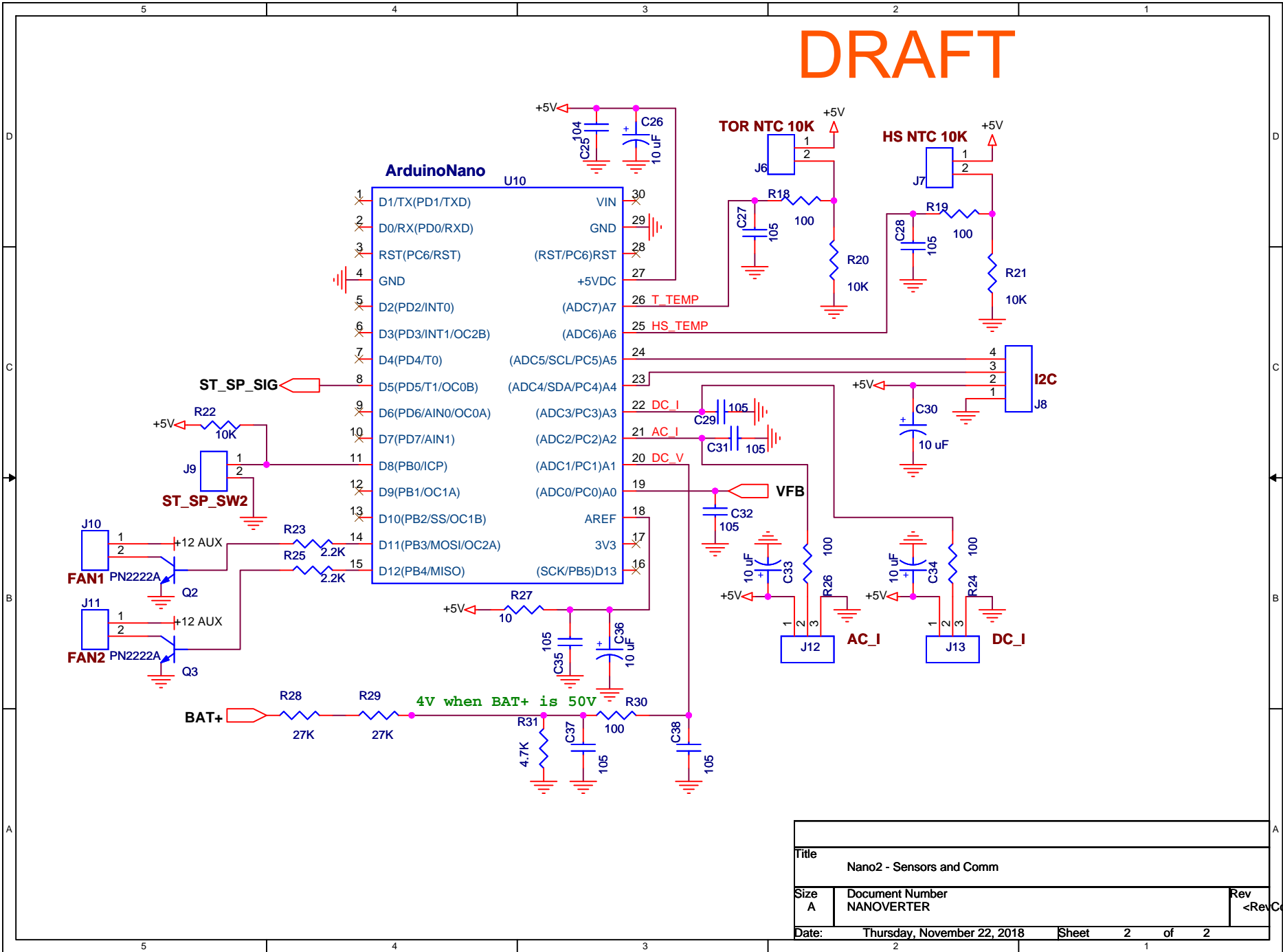


DRAFT



Title		
Nano2 - Sensors and Comm		
Size	Document Number	Rev
A	NANOVERTER	<Rev Code>
Date:	Thursday, November 22, 2018	Sheet 2 of 2