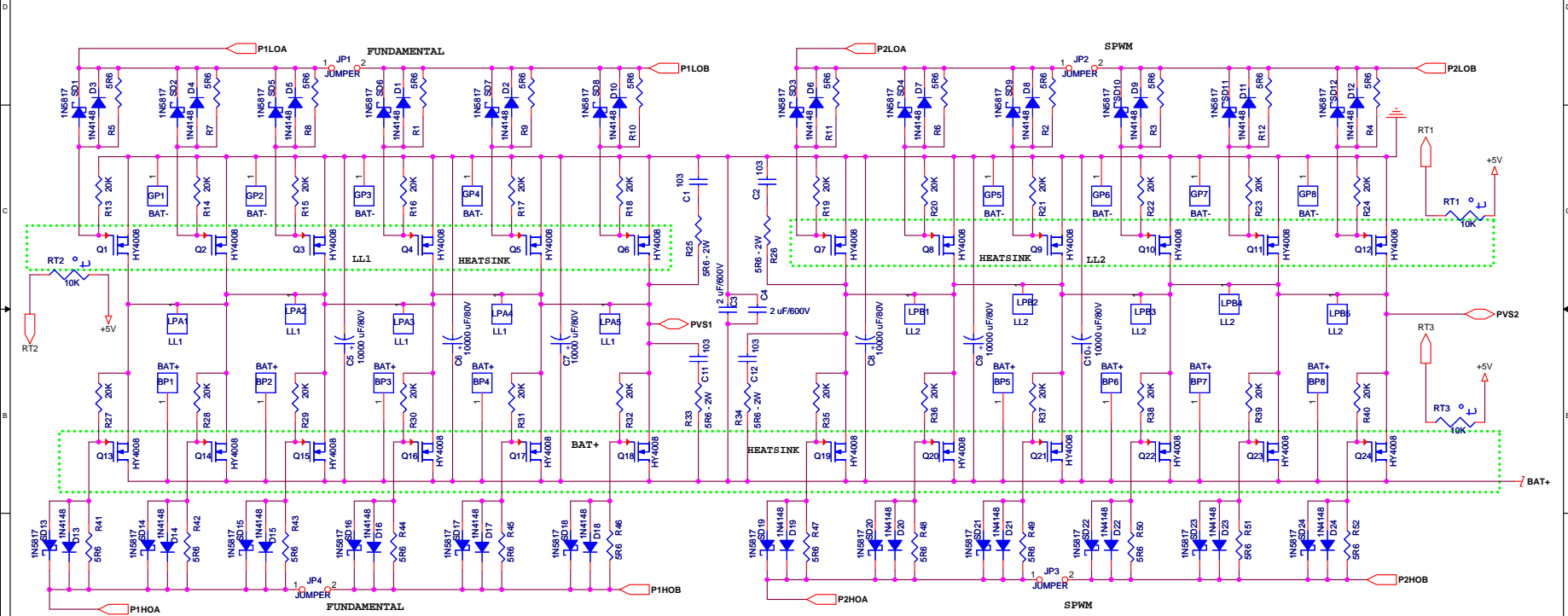


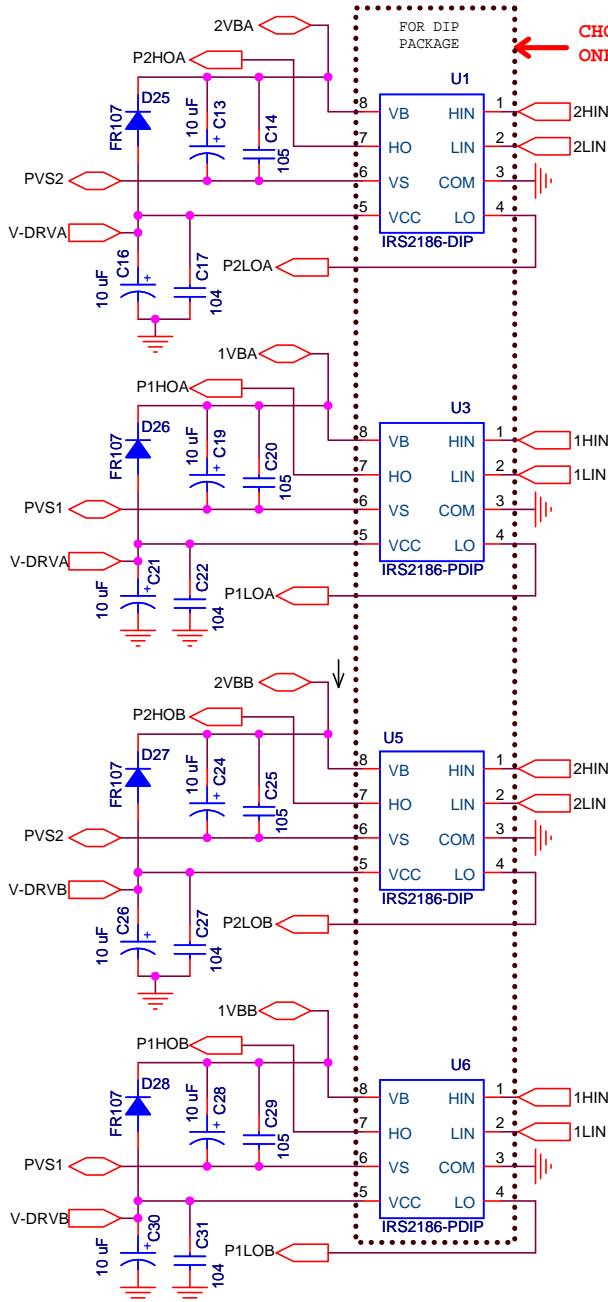
NOTES:

1. THERMISTORS (RT1-RT2) SHOULD BE LOCATED AT THE MIDDLE OF THEIR HEATSINKS.
2. SCHOTTKY DIODES SD1 THRU SD20 ARE OPTIONAL.
3. CONNECT THE FOUR JUMPERS IF USING IR2010BPFB. REMOVE IF USING IRS2186 DRIVERS.

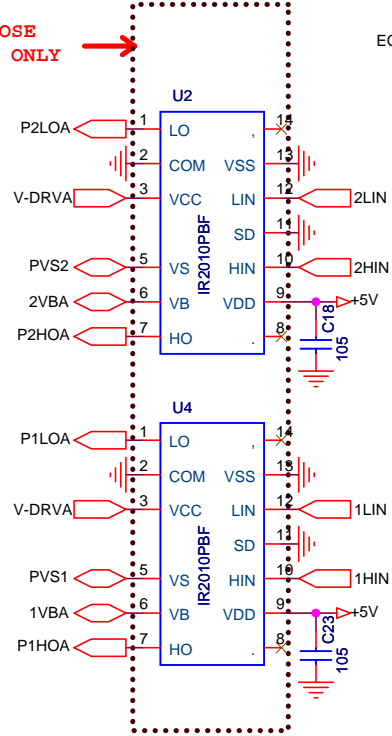


**FOR EDUCATIONAL PURPOSE ONLY.
USE AT YOUR OWN RISK!**

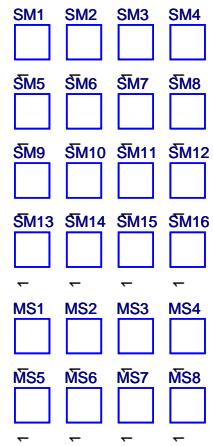
File	EXPERIMENTAL INVERTER (POWER SECTION)	
Size	Document Number EXP_INVERTER_PCB	Rev P2
Date	Tuesday, March 06, 2018	Sheet 1 of 4



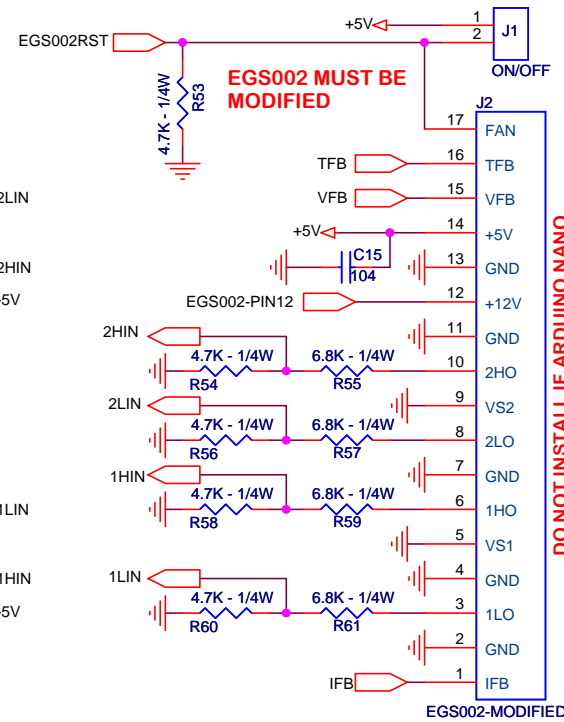
CHOOSE ONE ONLY



FOR HEATSINK MOUNTING



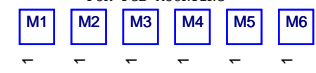
EGS002 MUST BE MODIFIED



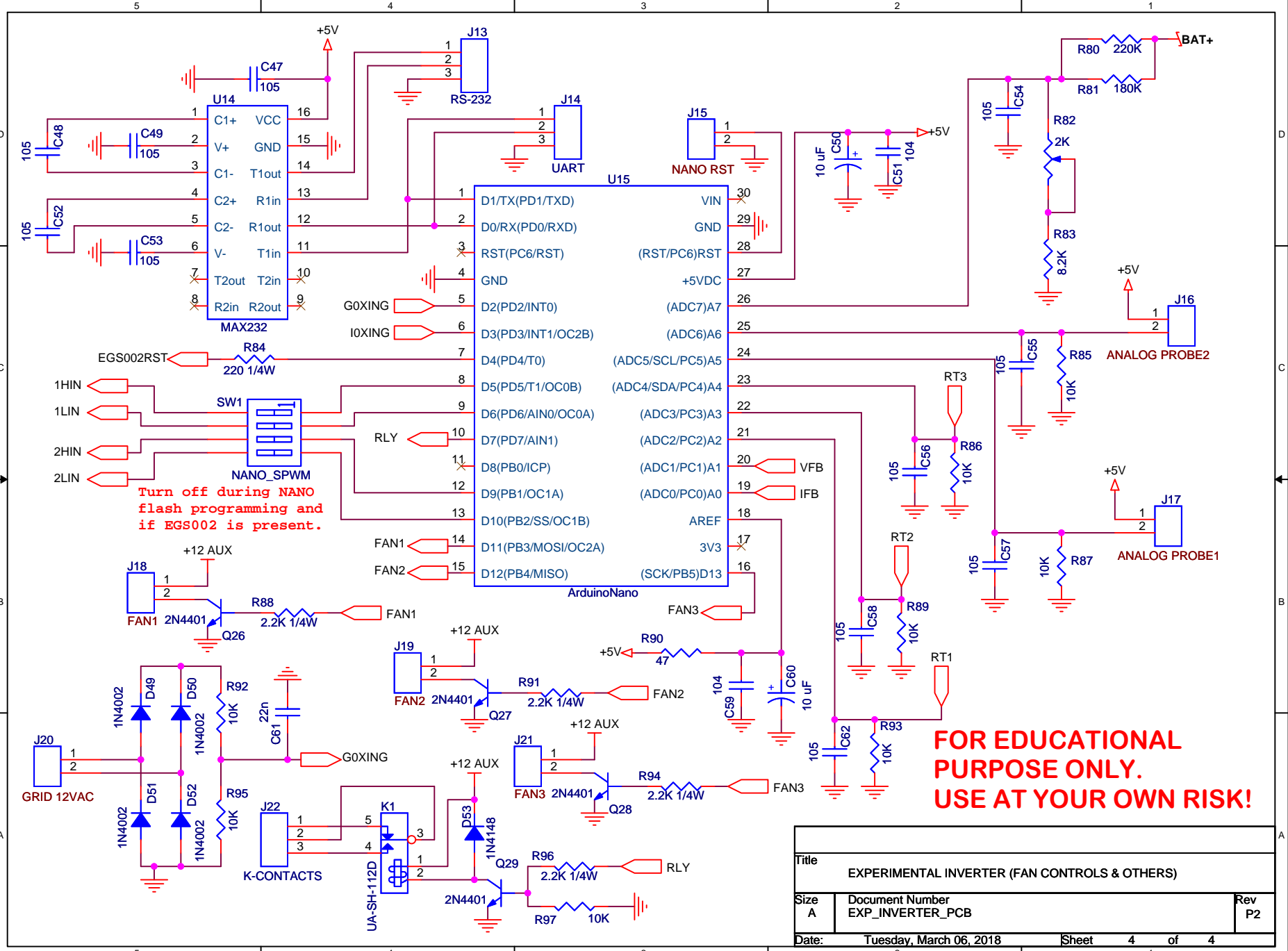
DO NOT INSTALL IF ARDUINO NANO IS USED FOR SPWM SIGNAL SOURCE

FOR EDUCATIONAL PURPOSE ONLY. USE AT YOUR OWN RISK!

FOR PCB MOUNTING



Title		
EXPERIMENTAL INVERTER (DRIVERS, EGS002 & MOUNTING HOLES)		
Size	Document Number	Rev
Custom	EXP_INVERTER_PCB	P2
Date:	Tuesday, March 06, 2018	Sheet 2 of 4



Turn off during NANO flash programming and if EGS002 is present.

FOR EDUCATIONAL PURPOSE ONLY. USE AT YOUR OWN RISK!

Title		
EXPERIMENTAL INVERTER (FAN CONTROLS & OTHERS)		
Size	Document Number	Rev
A	EXP_INVERTER_PCB	P2
Date:	Tuesday, March 06, 2018	Sheet 4 of 4

**CONFIRM CUT
BY USING
OHMMETER**

**CUT COPPER
TRACE**

**CONFIRM CUT
BY USING
OHMMETER**

**REMOVE R10
OR CUT
COPPER
TRACE.**

REMOVE U4

JUMPERS

