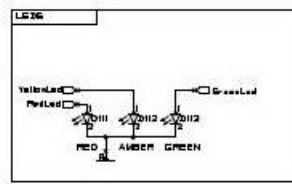
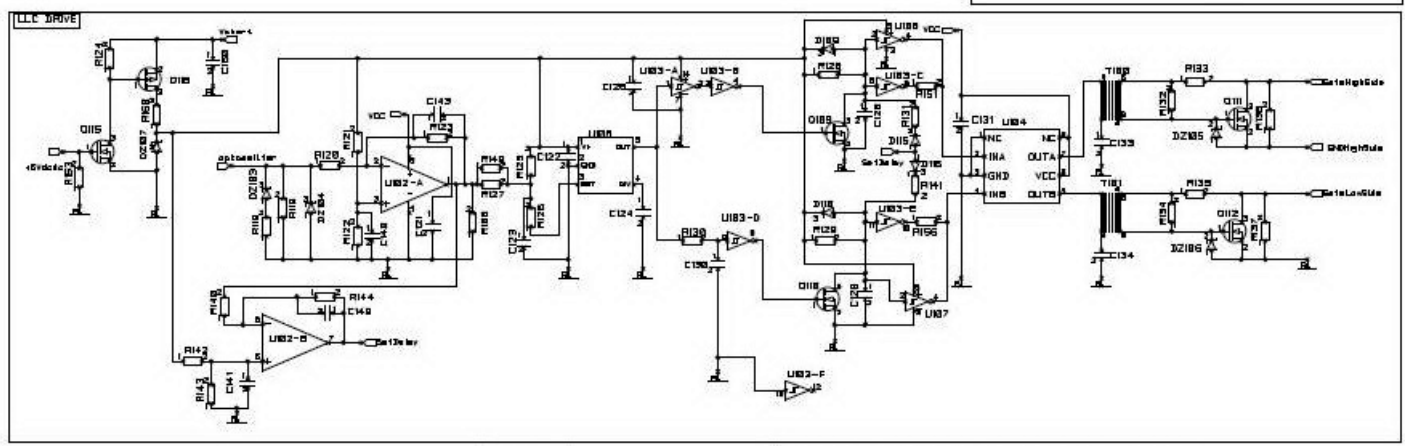
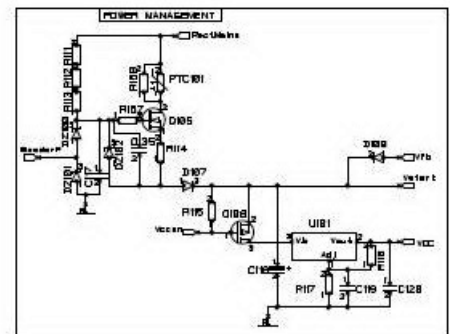


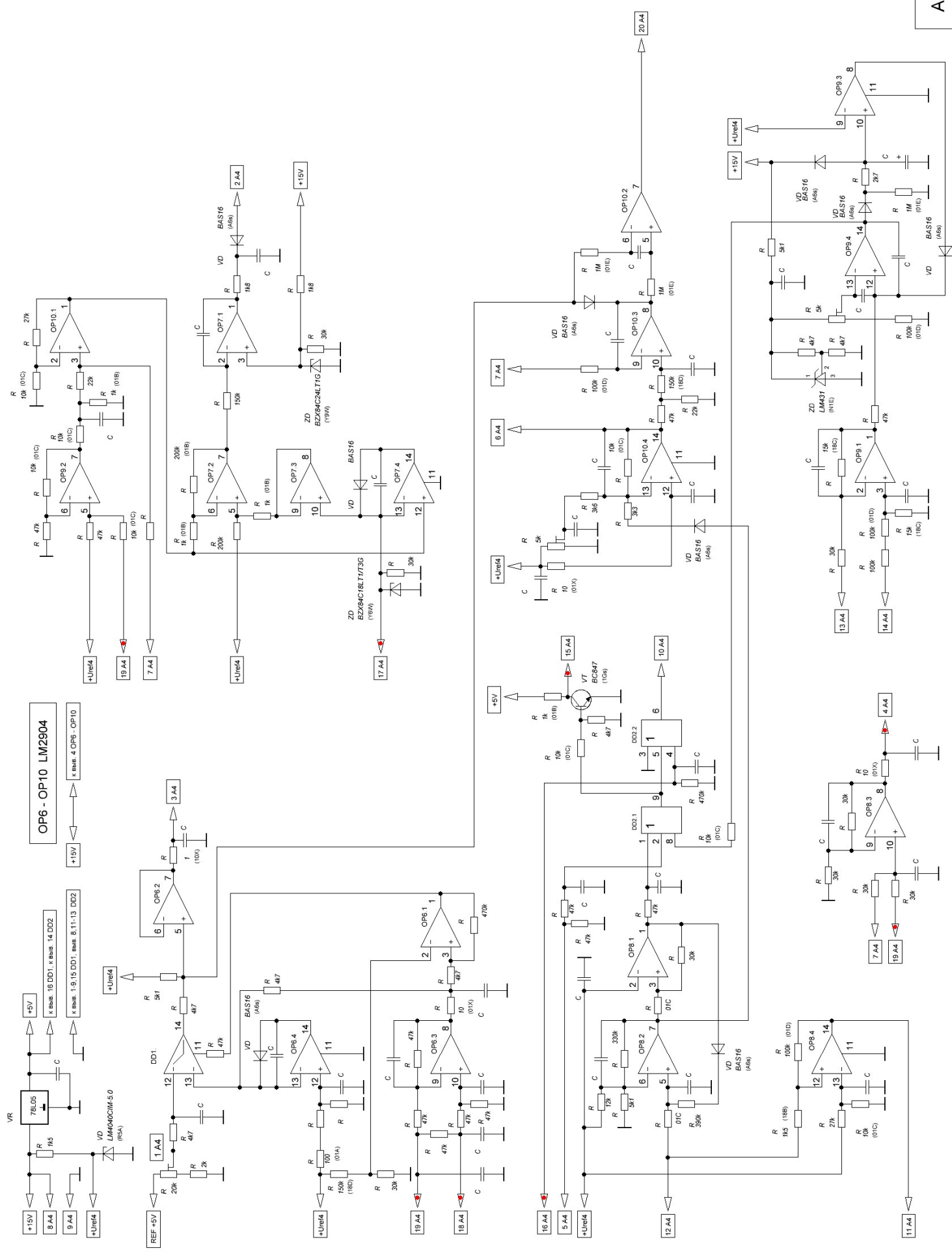
- Holes for EMC
Y101 Y102 Y103 Y104
- Holes for Testpoints
Y105 Y106 Y107 Y108
- Fiducial marks
Y109 Y110 Y111 Y112
- Holes for mounting
Y113

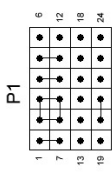
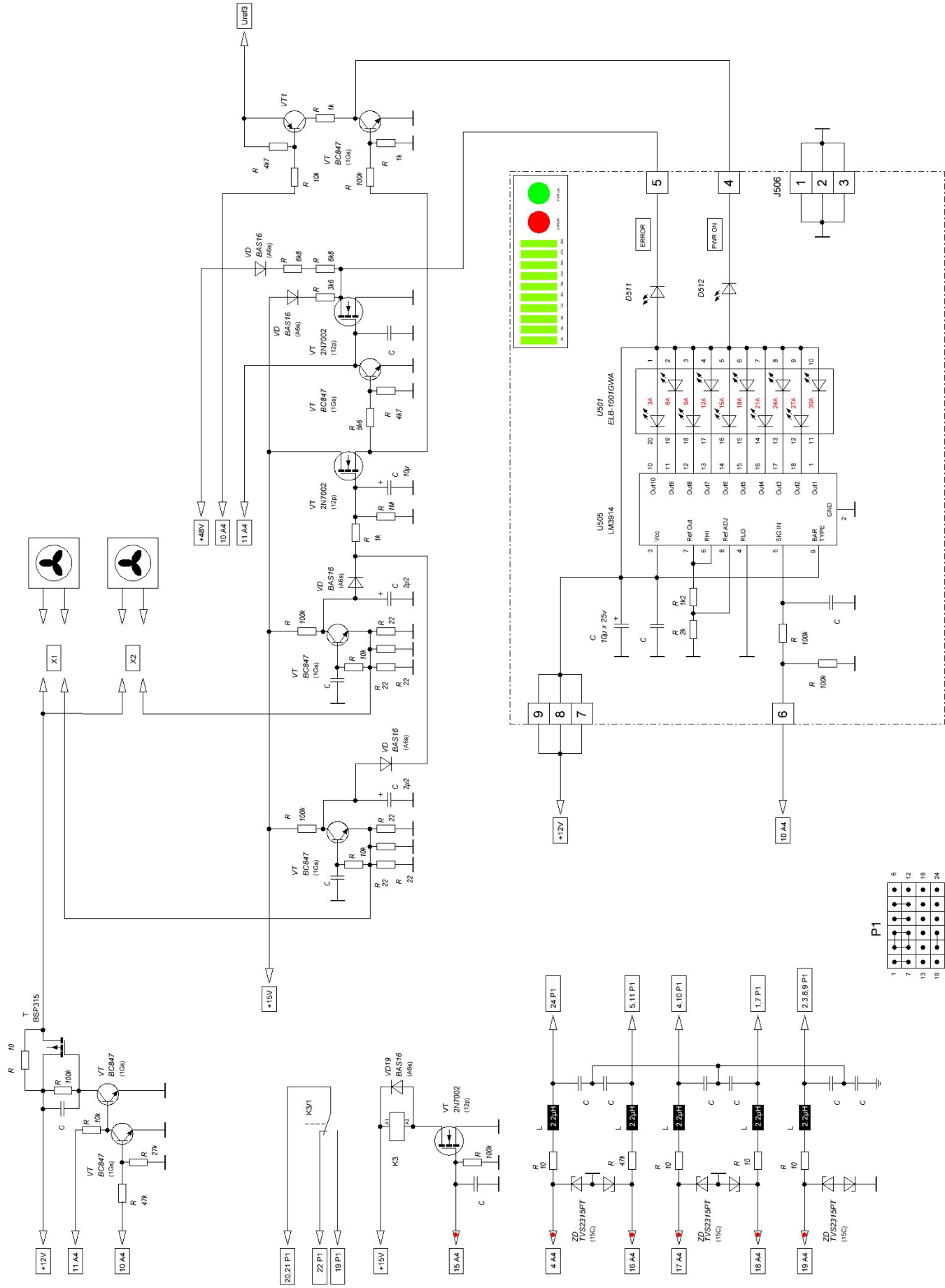


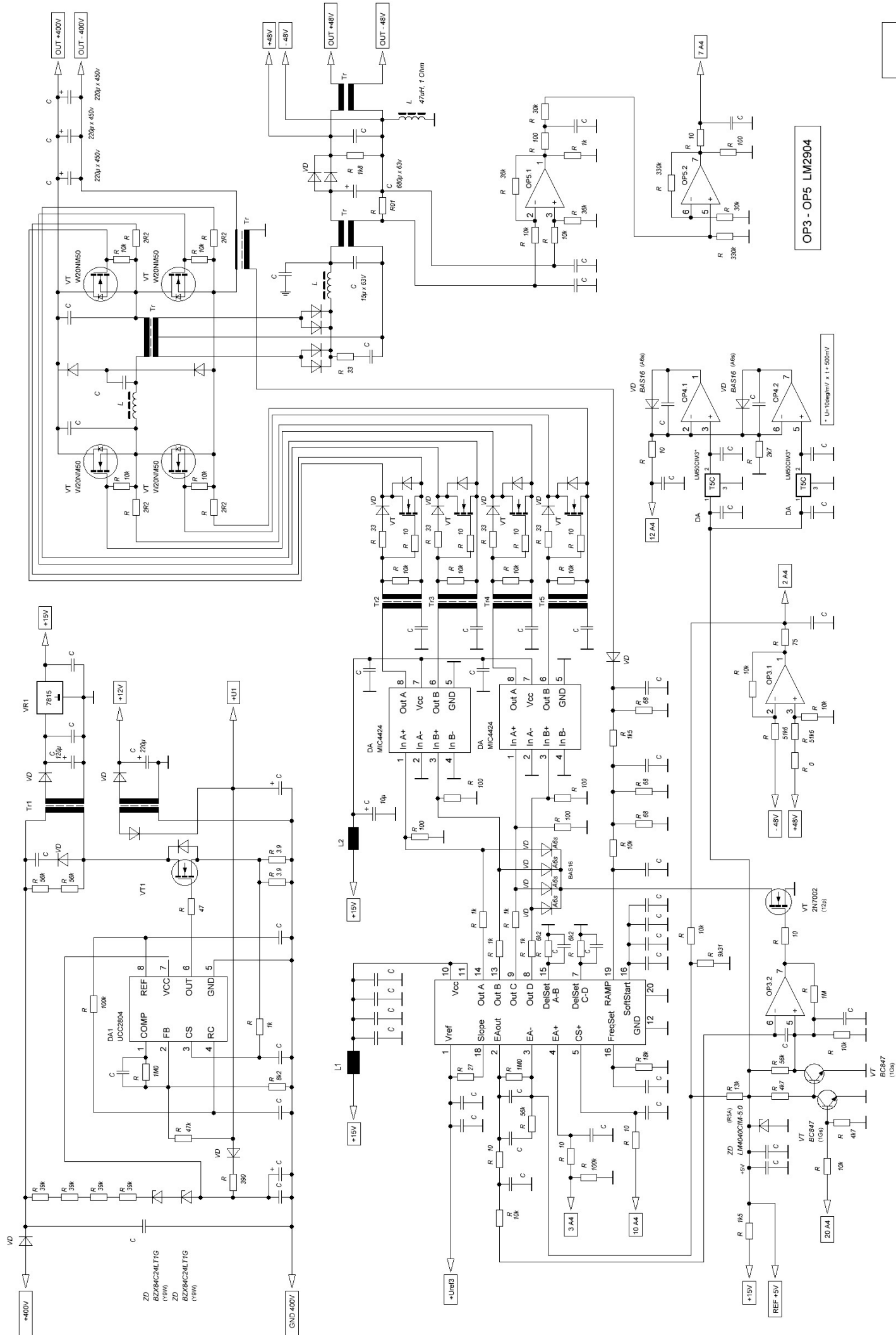
Date/Ver: 05.01.2005	Reviz./Design: EM	Emb./U/C/Control:	Skiz./List./Scale:
Arch./Archiv:	Sign./Drawn: EM/KIG	Self-jent./Approved:	
Title/Title: Main Board Flatpack 2 48Vdc 5I 200425V1			
Revizija/Reference: 200425V1 SCM(Codester)		Order nr./Order no.:	Passajul/Consultant:



Copyright © 2005 Etek. All Rights Reserved
 Exp./for/Replace for: Exp./for/Replace by:
2010731-A3-1
 PAGE 1 OF 2







OP3 - OP5 LM2904

* U₁ - 100µg/mV x 1 - 500mV

