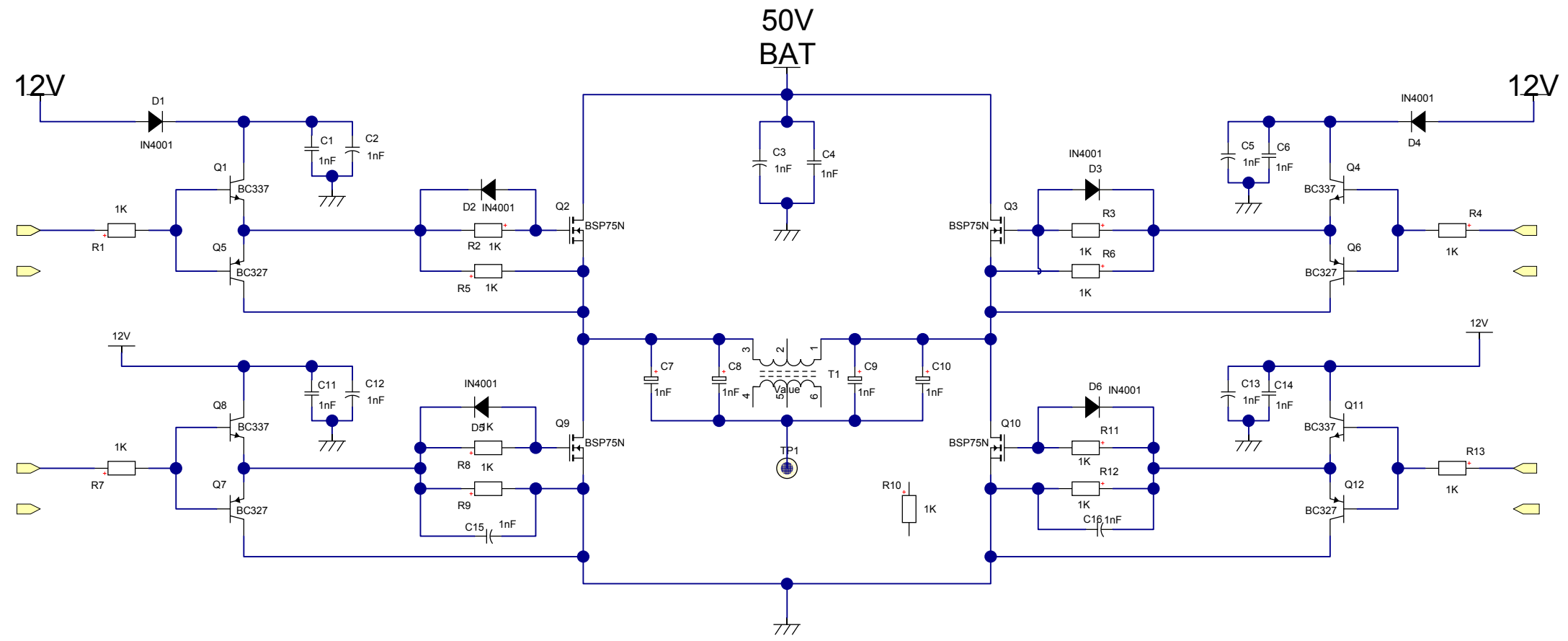


This is not a working circuit training exercise in using DEX 2018.500

Principle of the H bridge inverter driver



Title:		
Description		
Designed by:	Monday, May 21, 2018 - 9:47 PM	
Checked by:	Doc. No:	Revision: 1:3
Approved by:	Sheet: Helper-driver system Size: A3	