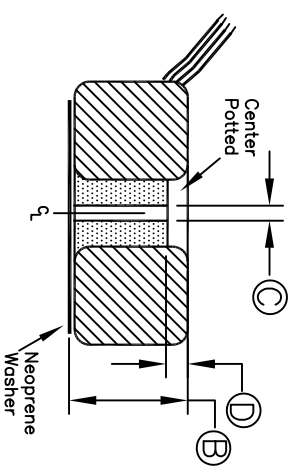
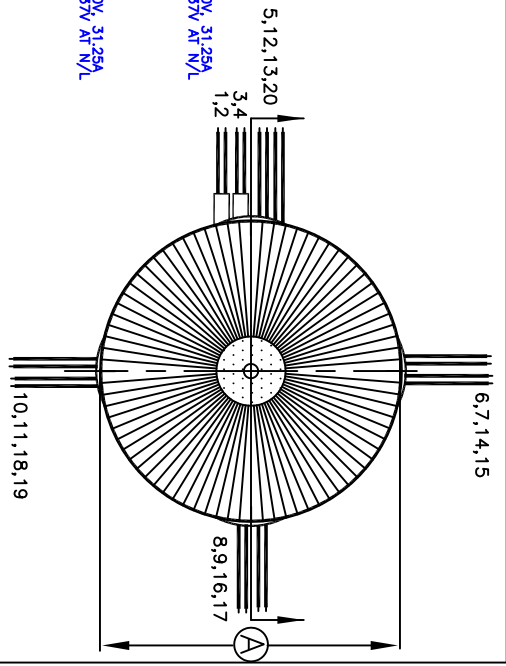
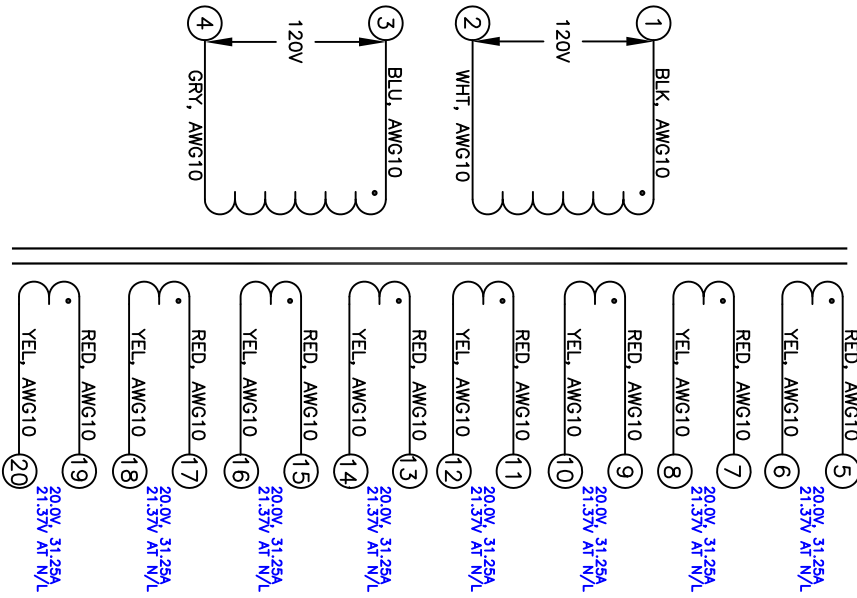


LEDSTAR (VIPCO)

(PART NO: T00040)

POWER:	VA	5000
TEMPERATURE RISE:	°C	*79
EFFICIENCY:	%	*97
WEIGHT:	kg	*18.5
FREQUENCY:	Hz	60



REF	DIMENSIONS	TOLERANCE
Unit:	(nom)	(max)
A	mm	205
B	mm	125
C	inch	1/2
D	mm	25
		±3

LABEL INFO:

PLITRON MANUFACTURING INC.
 6443-X0-03 DATE CODE F:60
 PRI: 2X120VAC SEC: 8X(20VAC/31.25A)
 LEDSTAR P/N T00040 CLASS B-130°C



NOTES:

- ULC recognised to UL506, UL1411, CSA 22.2 No66-1988 Class B(130°C) Insulation System.
- Leadouts of the same color must be connected together externally.
- All stranded leads are UL3173 type wire.

LEADS	LENGTH	TERMINATION
1-20	±10mm 1000	STRIP 6mm+3/-0mm

* Calculated value

V=VAC rms A=I rms

C/T= Center Tap N/L= No load

PLITRON MANUFACTURING INC.

This document is the property of Plitron Manufacturing Inc. It is not to be copied or transmitted or used as the basis for manufacturing of apparatus without written permission of Plitron Manufacturing Inc. Copyright Plitron Manufacturing Inc.

DESIGN BY:	E.TAM	DATE:	01/05/2000
DRAWN BY:	S.M.	DATE:	01/06/2000
CHECKED BY:		DATE:	
APPROVED BY:		DATE:	

TOROIDAL POWER TRANSFORMER

DWG NO. 6443-X0-03

SCALE N/A

SHEET 1 OF 1