

Lead Carbon Bank 6v Cell Monitor and Balancer

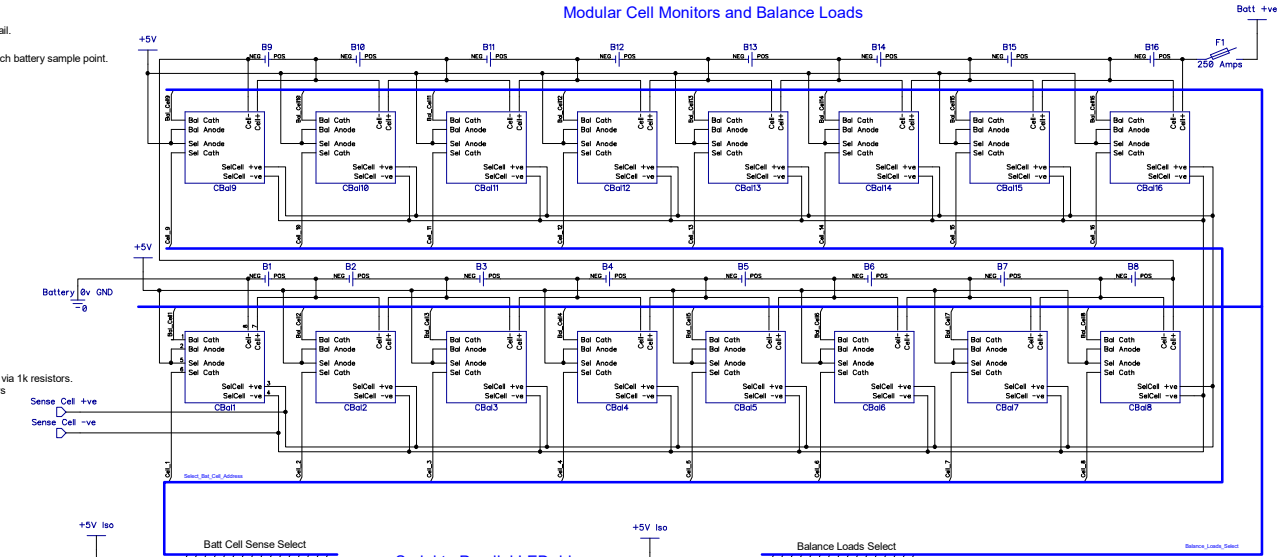
Ver 2.01, Mike Scaife, RM Software, Wellington

Lead Carbon Bank has 8 series x 6v for 50v rail.
 16 cells used on LifePo4 bank.
 Not shown: All Cell+ sense wires fused at each battery sample point.
 Balance load = 3.5 amps per cell.

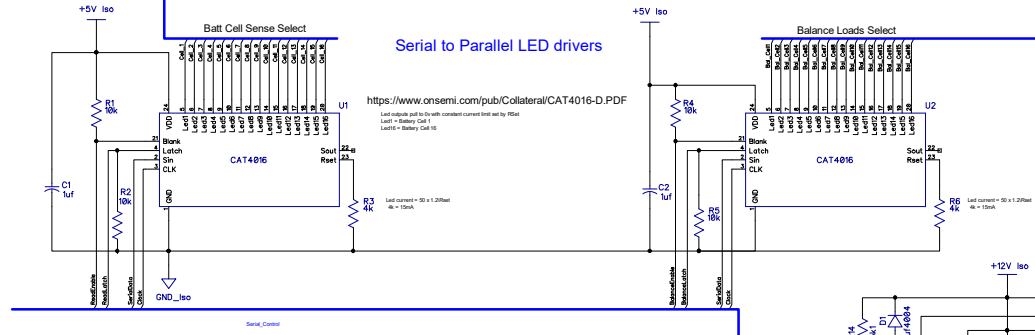
Last Change:
 12 Jan 2019, initial design.

5 and 12v rails isolated from main bank
 cell sense wires connect direct to any selected cell via 1k resistors.
 1/2 battery voltage selected by 0.1% divider resistors

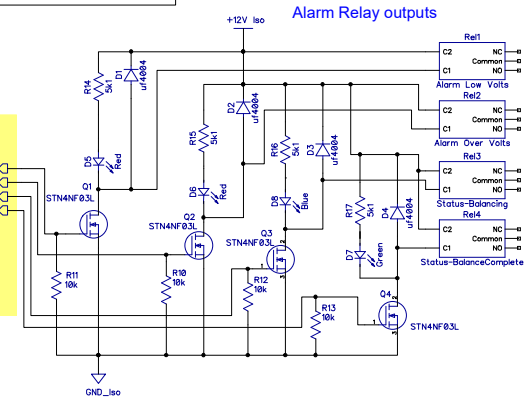
Modular Cell Monitors and Balance Loads



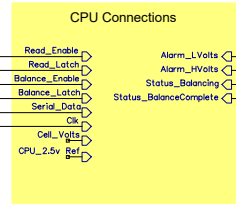
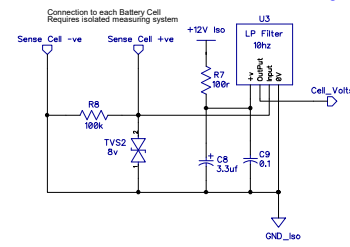
Serial to Parallel LED drivers



Alarm Relay outputs



Selected Cell Voltage Noise Filter



Isolated DC Power

