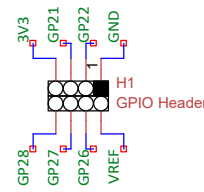
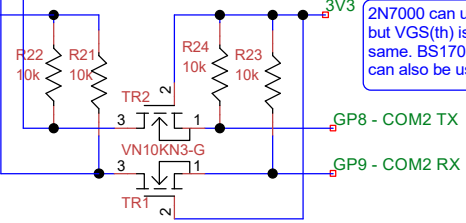
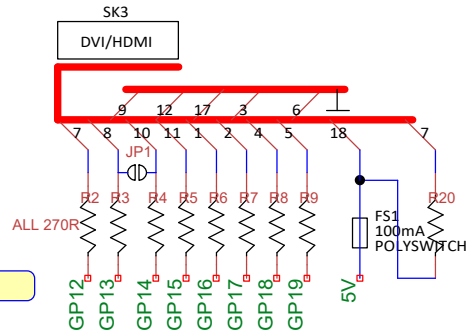


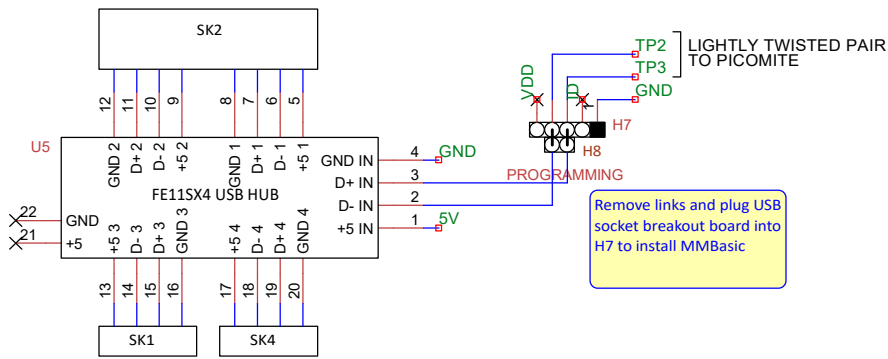
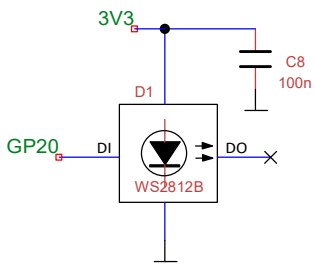
2N7000 can usually be used as a substitute but VGS(th) is a little high. Pinout is the same. BS170 is equivalent to 2N7000 and can also be used but reverse 1-3.



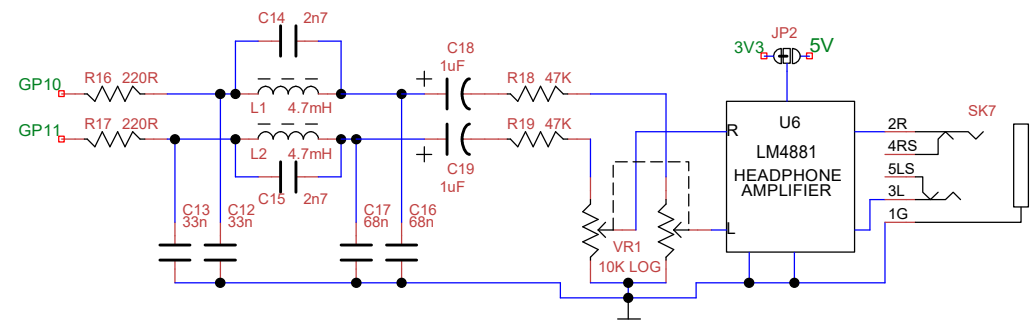
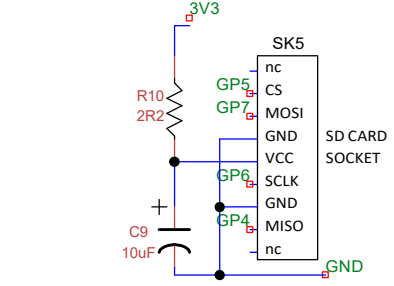
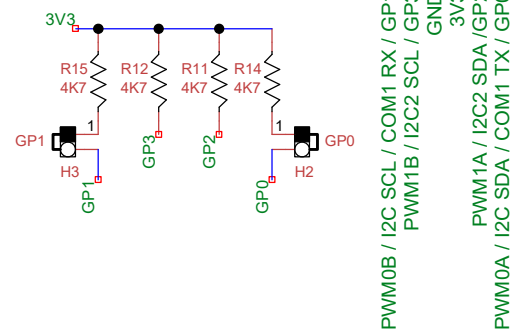
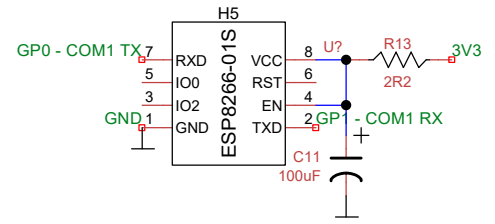
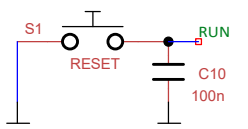
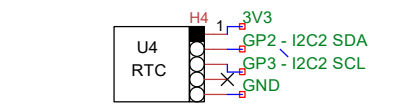
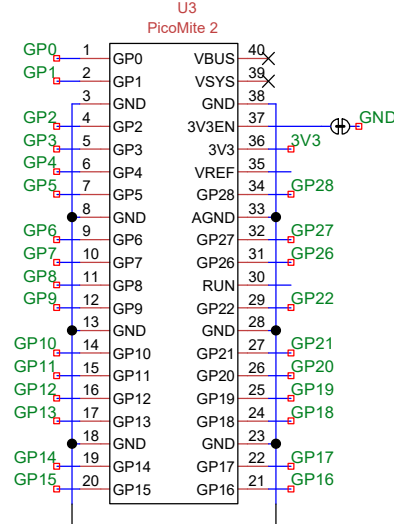
Note: There is no R1.



Version x.yA Gamma boards have the Adafruit HDMI breakout board instead of SK1 and resistors R2 to R9 and R20. There is no VGA option.



Remove links and plug USB socket breakout board into H7 to install MMBasic



Title PicoGAME Gamma		
Author Mick Ames - MIXTEL 90 eh? me?		
File J:\User\Desktop\PICO 2 - RP2350 ... Gamma.dsn	Document	
Revision 1.0	Date 13 Sep 2024	Sheets 1 of 1