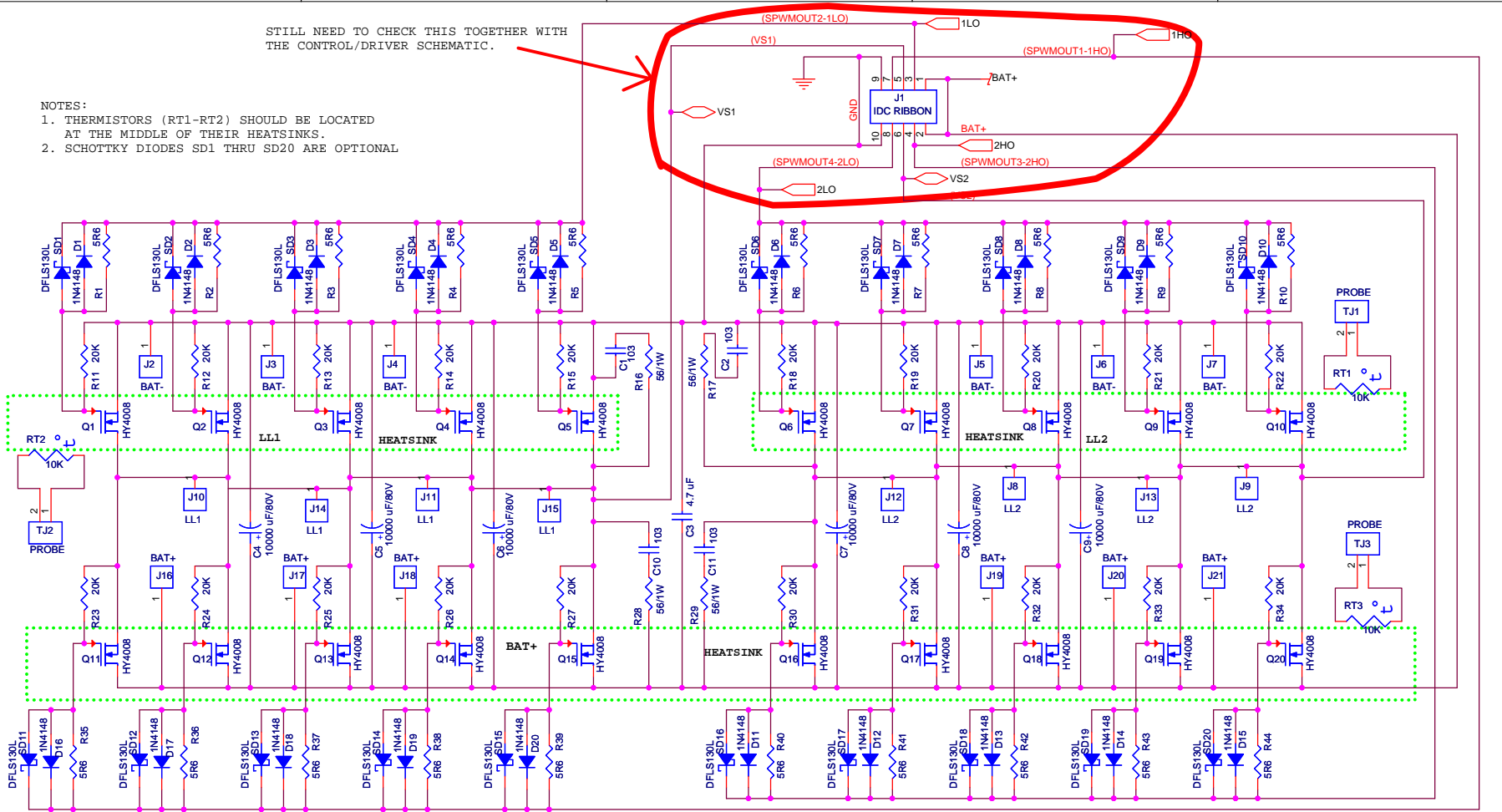


STILL NEED TO CHECK THIS TOGETHER WITH THE CONTROL/DRIVER SCHEMATIC.

NOTES:

1. THERMISTORS (RT1-RT2) SHOULD BE LOCATED AT THE MIDDLE OF THEIR HEATSINKS.
2. SCHOTTKY DIODES SD1 THRU SD20 ARE OPTIONAL



Title		
EXPERIMENTAL POWER BOARD		
Size	Document Number	Rev
	EXP_PWR_PCB	P1
Date:	Thursday, February 15, 2018	Sheet 1 of 1